

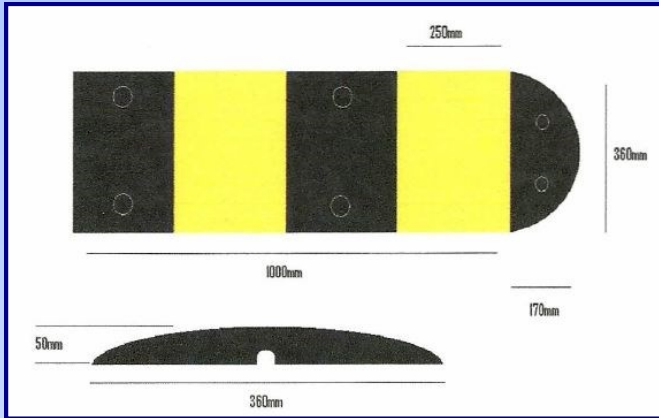


SPEED HUMPS

By Access Technologies



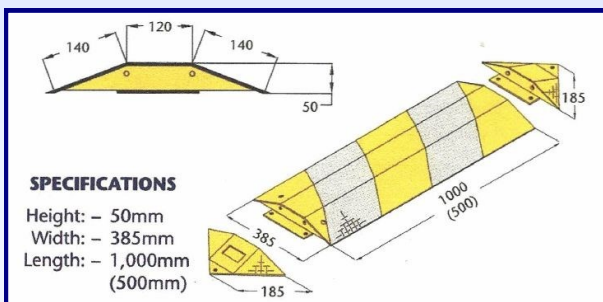
360mm Standard Rubber Speed Humps



This **Rubber Speed Hump** offers a low-cost solution in installations where traffic flows are not excessive. This is a modular system that can be supplied to any required length, with end caps supplied to suit the required layout. These speed humps offer particularly smooth and silent operation, and are recommended for use around residential apartments, hospitals, schools, shopping centres, and commercial/retail buildings.

Our rubber speed humps can be supplied in any pattern of yellow or black modules, and are UV stabilized to ensure many years of trouble free operation.

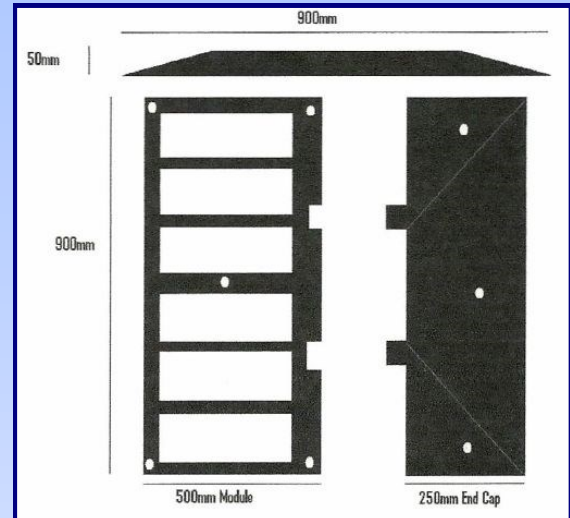
385mm Standard Steel Speed Humps



Steel Speed Humps are designed for higher traffic flows, and our designs minimize noise and 'rattle'. These units are suitable for passenger cars and light commercial vehicles, but are not recommended for use with heavy-vehicles.

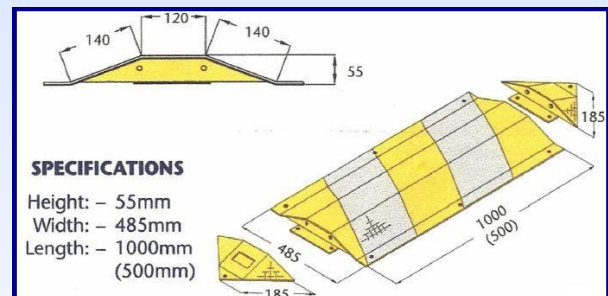
Black and yellow safety striping ensures excellent visibility under all conditions.

900mm Rubber Speed Reducer Humps



This is a 900mm wide **Rubber Speed Hump** specifically for the purpose of reducing vehicle speed rather than bringing vehicles to a complete stop. This has the effect of reducing fleet fuel consumption over a standard speed hump, as well as reducing noise from vehicle acceleration.

485mm Heavy-Duty Steel Speed Humps



Heavy-Duty Steel Speed Humps are the preferred choice for industrial premises and warehouses, where there are high traffic flows and commercial vehicles. These humps are suitable for use with trucks and other heavy-vehicles (including 'B-doubles'). This speed hump system is modular in design, and comes fully zinc plated and painted for many years of trouble free service.

CONTACT:

Phone: (08) 6305 0511
 Fax: (08) 9246 9963
 Email: ask-us@accesstechnologies.com.au
 Web: www.accesstechnologies.com.au
www.speed-humps.net.au

